

Safety

- Do not cover the ground contact.
- Do not insert objects into the luminaire.
- Do not clean using any solvent based abrasive or aggressive product.
- Do not pull any cables connected to the product.
- Do not direct the luminaire into a persons eyes, as this unit may have an intense light output, which if incorrectly used may cause eye damage.
- Light engines/LEDs and other light sources may heat up, please take care when handling the products.
- The manufacturer will not be deemed liable or held responsible for any damages caused by faults or manufacturing defects that may be present in any of its products or the misuse or incorrect installation of this device.
- The manufacturer will not be held liable for any death(s) or injuries caused by misuse or poor installation or any unreported faults of this product version or versions thereof.
- Do not install in areas with; high acid rain, acidic soil, high salt content, coastal environments, high concentration of chemical substances.

Returns & Faulty Items

- If any problem is encountered during or after installation, please call ALL LED technical department to get the problem resolved ASAP.
- Please do not just return the item to the outlet you purchased it from, as you are only entitled to a replacement or refund after the unit has undergone testing and the unit has been confirmed as having a manufacturing defect/fault. Your statutory rights are not affected.
- The manufacturer will not be deemed liable or held responsible for any damages caused by faults or manufacturing defects that may be present in any of its products or the misuse or incorrect installation of this device. Please refer to our trouble shooting guide for further information.
- All goods are supplied under the terms and conditions of ALL LED LTD, a copy of which may be obtained upon written request.



The manufacturer will not be deemed liable or held responsible for any damages caused by faults or manufacturing defects that may be present in any of its products or the misuse or incorrect installation of this device
Your statutory rights are not affected.



iCan75 Platinum

INSTALLATION GUIDE AFDP75 RANGE



- This product must be installed by a qualified electrical installer.
- All electrical work should be completed in accordance with the latest IET regulations, or any other relevant rules, regulations or laws of the country in which it is being installed.
- This item is suitable for humid environments when installed correctly and carries an ingress protection rating of IP65 from front, when used with appropriate bezel and bezel accessories.
- Ensure the item is isolated from any form of insulation and is adequately ventilated to prevent premature decay of the LED package.
- Ensure power supply is isolated prior to installation, maintenance or performing any other form of electrical work.
- The company MUST be contacted immediately for advice or swift resolution of any matters concerning any of ALL LED's products.

Technical Specifications

PRODUCT CODE	AFDP75
Ingress Protection	IP20 / IP65 (Bezel & Glass Dependent*)
Guarantee	Lifetime
Finish	Black (Body)
Maximum Rated Power	GU10 LED* Max 8W
Fire Rating	30, 60, 90 Minutes (Timber Joist), 30 Minutes iJoist (Staircraft) 30 Minutes Metal Web Joist (Wolf System)
Class	I

COMPATIBLE BEZELS*	CODES
Fixed Bezel (IP65 - When Glass Is Used)	AFDP75BZ/F/**
Adjustable Bezel (IP54 - When Glass is Used)	AFDP75BZ/A/**

COMPATIBLE MULTIPLES*	CODES
Solo Plate	AFD75/M/01
Duet Plate	AFD75/M/02
Trio Plate	AFD75/M/03
Quad Plate	AFD75/M/04

COMPATIBLE ACCESSORIES*	CODES
Trimless Kit - White	AFD75/TK
Trimless Kit - Black	AFD75/TK/BK
Insulation Cover	AFDP75/IC

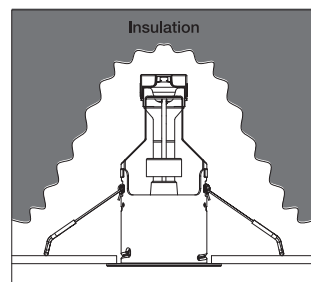
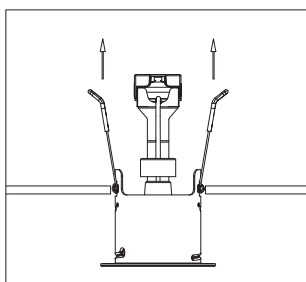
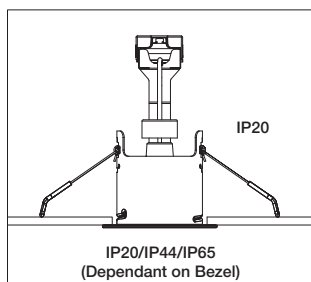
*Sold Separately

Environmental Protection
Waste electrical products should not be disposed of with household waste. Please recycle where facilities exist. Check with your Local Authority or retailer for recycling advice



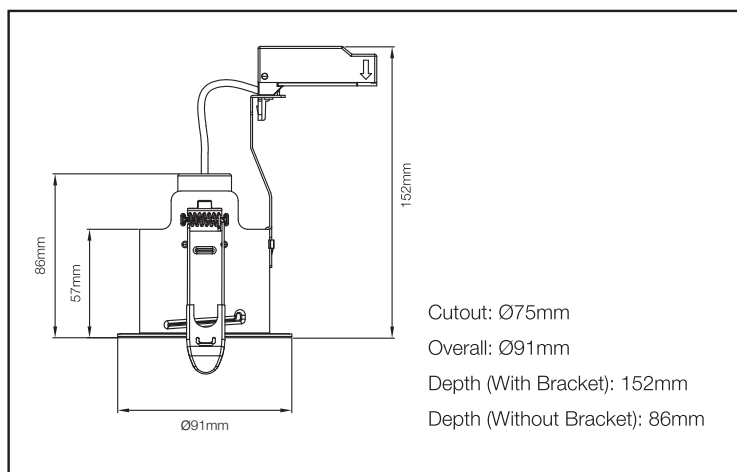
Installation

1. We recommend checking the installation with the products for suitability prior to installation.
2. Turn off the power supply at the source to avoid any risk of electric shock.
3. Using appropriate techniques, cut a suitable hole in the ceiling (see dimensions below for cut-out).
4. If there is any insulation (wool type), please use a suitable IC cover (AFDP75/IC).
5. Connect the lamp holder to the cables and clamp the cables down.
6. Install a compatible GU10 lamp by twisting open the bezel. Insert the lamp securely into the seating.
7. Install the bezel (lock clockwise, unlock anti-clockwise). Take care to place the silicon gaskets in place for IP rated bezels to retain the IP rating.
8. Turn the power on to test the function. After the test is finished, turn the power off.
9. Carefully hold back the two springs to insert the downlight into the hole. The clips will hold the downlight in place.



*If using with insulation please use IC Cover (AFDP75/IC)

Dimensions (mm)



Bezel Installation*

